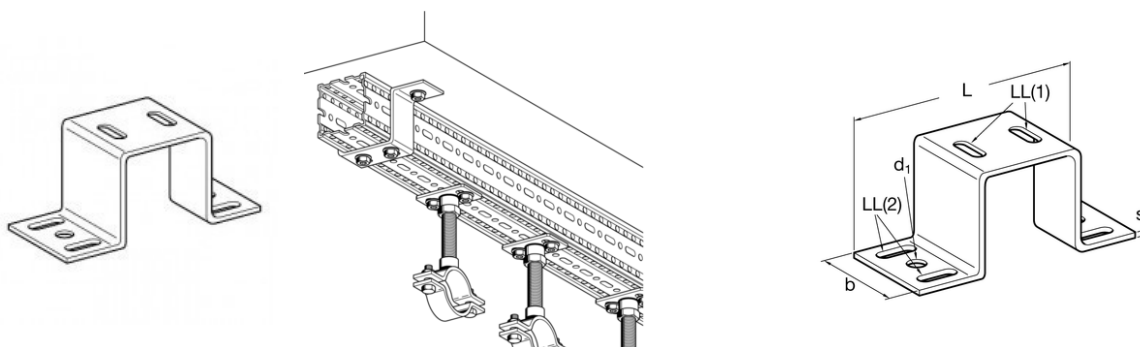


# BEAM SECTION HOLDER TPH F 100



## APPLICATION

Interface element to connect 90° intersecting Beam Sections F100. Alternatively the Beam Section Holder TPH may be used to connect only one beam section to an even surface with suitable wall anchors or with cast-in channel accessories.

## INSTALLATION

Connecting one Beam Section F100 90° to another one by using 6 x Self Forming Screw FLS applied through all elongated holes. Connecting to any other surface or member by using 2 x Self Forming Screws FLS through the two elongated holes on the top of the Beam Section Holder TPH F100 plus 2 appropriate fixing elements up to M12 through the two holes "d1".

## TECHNICAL DATA

Type	L x b x s [mm]	ø d1 [mm]	Elongated hole LL1d x a [mm]	Elongated hole LL2d x a [mm]
TPH F 100 C	219 x 100 x 4	14	11 x 20	11 x 20
TPH F 100/80 C	199 x 100 x 4	14	11 x 20	11 x 20

Material: Steel, HCP.

Codice	Nome	Peso	Numero di pezzi
113084	TPH F 100 C	1.24	10
113085	TPH F 100/80 C	1.09	10

### PROSYSTEM ITALIA SRL

Via Friuli venezia Giulia, 15  
30030 Pianiga - Venezia - Italy  
T +39.041.510.1622  
F +39.041.5131351

P.IVA 03470750278  
Reg.Imp. Ve 03470750278  
Cap.soc. € 90.000,00  
REA Padova n° 311219

[info@prosystemitalia.com](mailto:info@prosystemitalia.com)  
[prosystemitalia.com](http://prosystemitalia.com)