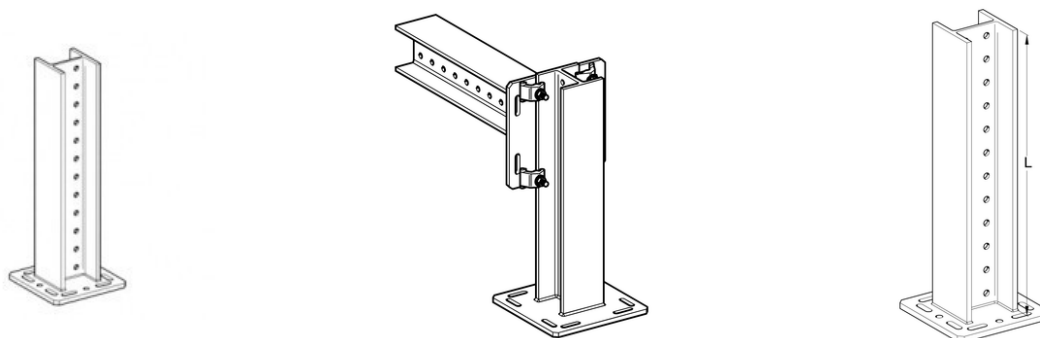


BEAM BRACKET TKO 120



APPLICATION

Element for mounting to floors, ceilings or walls, or for assembling crossbars. Types TKO 120 x 1500, 2000 and 3000 are not suitable for cantilever arrangements.

INSTALLATION

Depending on the situation, different options are recommended:

- a) Fixation to building structure using 4 heavy duty anchors M12;
- b) Frictional connection to steel beams (flange width 80 - 120 mm) with Assembly Set 5P M12 S;
- c) Interlocking connection to further Beam Brackets by means of Bracket Plates FV100/120.

The \varnothing 13 mm holes following a 50 mm grid allow the combination with other products using M12 bolts.

TECHNICAL DATA

PROSYSTEM ITALIA SRL

Via Friuli venezia Giulia, 15
30030 Pianiga - Venezia - Italy
T +39.041.510.1622
F +39.041.5131351

P.IVA 03470750278
Reg.Imp. Ve 03470750278
Cap.soc. € 90.000,00
REA Padova n° 311219

info@prosystemitalia.com
prosystemitalia.com

Dimensions of base plate [mm]	Slots in base plate for	∅ of punched holes[mm]	Grid of holes[mm]
220 x 220 x 12	M12	13	50

Configuration: Base plate welded to IPB120.

Material: Steel, hot-dipped galvanised.

APPROVALS

CE mark, according to EN 1090.



Codice	Nome	Peso	Numero di pezzi
193150	TKO 120 L= 350 mm	13.29	-
193167	TKO 120 L= 600 mm	19.9	-
193174	TKO 120 L= 800 mm	25.19	1
193181	TKO 120 L=1000 mm	30.48	-
193198	TKO 120 L=1500 mm	43.7	-
193204	TKO 120 L=2000 mm	56.93	-
193105	TKO 120 L=3000 mm	83.38	-

PROSYSTEM ITALIA SRL

Via Friuli venezia Giulia, 15
30030 Pianiga - Venezia - Italy
T +39.041.510.1622
F +39.041.5131351

P.IVA 03470750278
Reg.Imp. Ve 03470750278
Cap.soc. € 90.000,00
REA Padova n° 311219

info@prosystemitalia.com
prosystemitalia.com