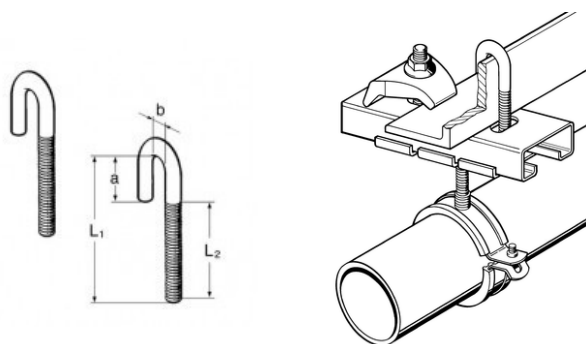


# THREADED HOOK GH



## APPLICATION

Used in combination with profiled beams as a holder for mounting crossbars composed of Channels or other standard profiles.

## TECHNICAL DATA

Load values:

Type	Working load
M8	2.5 kN
M10	4.0 kN

Material: Steel, electro-galvanised.

Type	L1 [mm]	L2 [mm]	a [mm]	b[mm]
M8 x 75	75	50	15	12
M8 x 115	115	70	25	12
M10 x 150	150	90	30	15

Codice	Nome	Peso	Numero di pezzi
101587	GH M 8 x 75	0.03	100
101596	GH M 8 x 115	0.05	100
101602	GH M10 x 150	0.1	50

### PROSYSTEM ITALIA SRL

Via Friuli venezia Giulia, 15  
30030 Pianiga - Venezia - Italy  
T +39.041.510.1622  
F +39.041.5131351

P.IVA 03470750278  
Reg.Imp. Ve 03470750278  
Cap.soc. € 90.000,00  
REA Padova n° 311219

[info@prosystemitalia.com](mailto:info@prosystemitalia.com)  
[prosystemitalia.com](http://prosystemitalia.com)