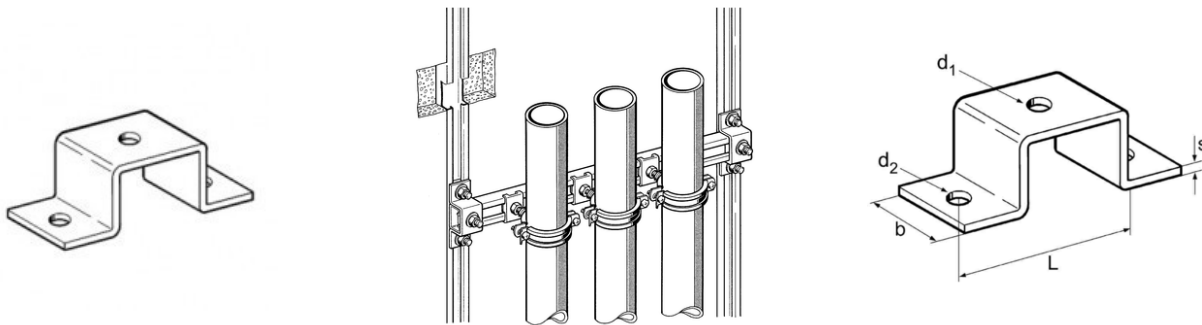


CHANNEL BRACKET SH HCP



APPLICATION

Comprehensive bracing construction of channels:

- directly to the building structure;
- onto other channels for frame construction.

TECHNICAL DATA

Material: Steel, HCP.

Type	b x s [mm]	L [mm]	ø d1 [mm]	ø d2 [mm]
SH 41/21	40 x 4	80	11	11
SH 41/41	40 x 4	80	11	11
SH 41/41 D	40 x 4	80	13	13
SH 41/62	40 x 4	80	11	11
SH 41-75/75	50 x 5	120	13	13

PROSYSTEM ITALIA SRL

Via Friuli venezia Giulia, 15
30030 Pianiga - Venezia - Italy
T +39.041.510.1622
F +39.041.5131351

P.IVA 03470750278
Reg.Imp. Ve 03470750278
Cap.soc. € 90.000,00
REA Padova n° 311219

info@prosystemitalia.com
prosystemitalia.com

Codice	Nome	Peso	Numero di pezzi
189992	SH 41/21	0.16	50
183116	SH 41/41	0.21	50
113917	SH 41/62	0.27	25
183143	SH 41/41 D	0.32	10
183134	SH 41-75/75	0.49	25

PROSYSTEM ITALIA SRL

Via Friuli venezia Giulia, 15
30030 Pianiga - Venezia - Italy
T +39.041.510.1622
F +39.041.5131351

P.IVA 03470750278
Reg.Imp. Ve 03470750278
Cap.soc. € 90.000,00
REA Padova n° 311219

info@prosystemitalia.com
prosystemitalia.com