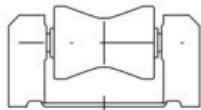


CYLINDRICAL ROLLER PS



APPLICATION

For the sliding of pipes subject to expansion without isolation. To be used only in support.

INSTALLATION

It is connected to the system by bolts. The dimension E shows the diameter of the holes.

TECHNICAL DATA

Materials:

- Cage: Fe360;
- Roller: in carbon steel;
- Pin: Stainless steel AISI 303;
- Bushings: in sintered bronze, self-lubricating;
- Treatment: zinc plating.

PROSYSTEM ITALIA SRL

Via Friuli venezia Giulia, 15
30030 Pianiga - Venezia - Italy
T +39.041.510.1622
F +39.041.5131351

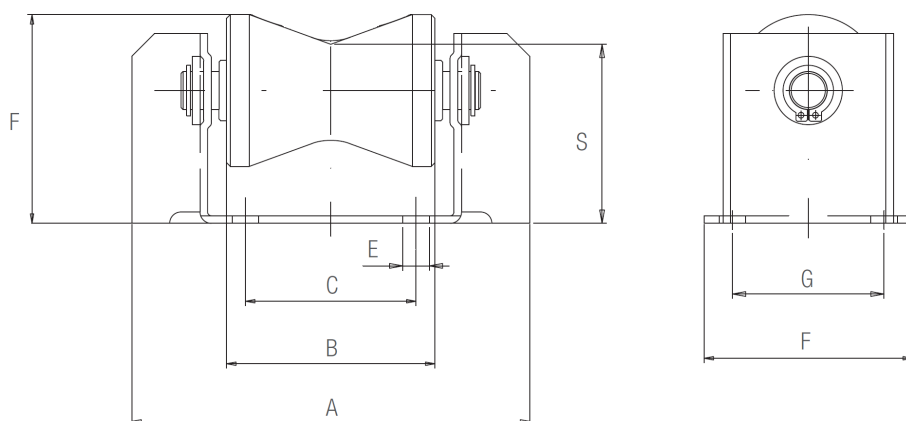
P.IVA 03470750278
Reg.Imp. Ve 03470750278
Cap.soc. € 90.000,00
REA Padova n° 311219

info@prosystemitalia.com
prosystemitalia.com

| Type | Diam. [mm] | Max adm. load [kN] | A [mm] | B [mm] | C [mm] | ∅ E [mm] | F [mm] | G [mm] | H [mm] | S [mm] | r/F |
|------|------------|--------------------|--------|--------|--------|----------|--------|--------|--------|--------|-------|
| PS 1 | 50- 100 | 5,0 | 105 | 43 | 45 | 7 | 55 | 40 | 55 | 47 | 0,075 |
| PS 2 | 100 - 180 | 10,0 | 142 | 70 | 60 | 8 | 71 | 54 | 61 | 47 | 0,075 |
| PS 3 | 150 - 250 | 20,0 | 180 | 100 | 156 | 12 | 70 | 35 | 92 | 74 | 0,075 |
| PS 4 | 200 - 350 | 32,0 | 245 | 135 | 207 | 12 | 90 | 45 | 114 | 89 | 0,075 |

r = radial friction force
r / F axial friction coefficient

PS 1-2



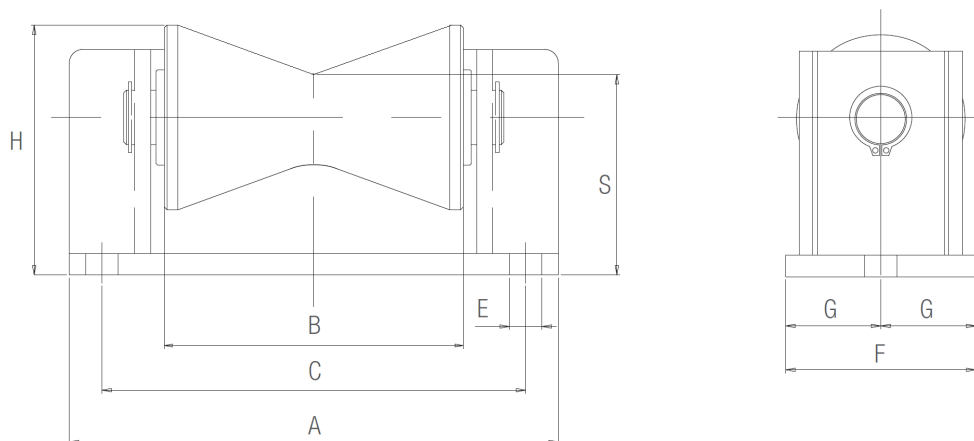
PL 3-4

PROSYSTEM ITALIA SRL

Via Friuli venezia Giulia, 15
30030 Pianiga - Venezia - Italy
T +39.041.510.1622
F +39.041.5131351

P.IVA 03470750278
Reg.Imp. Ve 03470750278
Cap.soc. € 90.000,00
REA Padova n° 311219

info@prosystemitalia.com
prosystemitalia.com



| Codice | Nome | Peso | Numero di pezzi |
|--------|-----------------------|------|-----------------|
| 127239 | PS 1 50 - 100 mm | 0.55 | 1 |
| 127245 | DIAMETRO 100 - 180 MM | 0.9 | 1 |
| 127251 | PS 3 150 - 250 mm | 3 | 1 |
| 127257 | DIAMETRO 200 - 350 MM | 7 | 1 |

PROSYSTEM ITALIA SRL

Via Friuli venezia Giulia, 15
30030 Pianiga - Venezia - Italy
T +39.041.510.1622
F +39.041.5131351

P.IVA 03470750278
Reg.Imp. Ve 03470750278
Cap.soc. € 90.000,00
REA Padova n° 311219

info@prosystemitalia.com
prosystemitalia.com