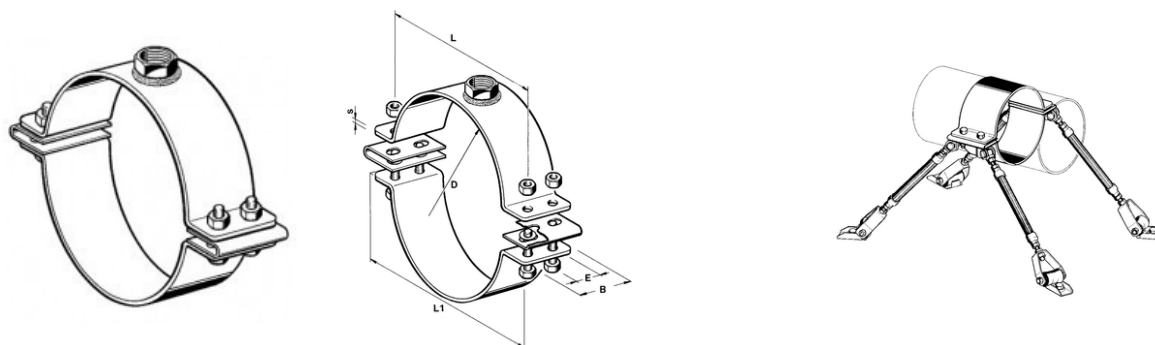


FIXED POINT CLAMP FS



APPLICATION

To be used for Fixed Point installations in combination with Mounting Kits.

For completion a Mounting Kit (with or without sound absorption) and 4 braces (Sikla threaded tubes or rods) are needed.

For professional dimensioning of these components according to fixed point loads (up to 25 kN with sound absorption or up to 35 kN without sound absorption) our staff members give advice.

The symetric construction enables absorption of axial loads in both directions. The centrally welded M16 nut offers further connection possibilities.

SCOPE OF DELIVERY

Complete with 4 clamping bolts and 4 nuts M16, from size 108 mm onwards with spring inserts.

Clamping bolts and spring inserts are fixed and retained to the lower part of the clamp; nuts are supplied loose.

INSTALLATION

Tighten clamping bolts equally with the torque M as mentioned in the table.

Type	Tightening torque M (Nm) 1)
1/2" ... 1 1/2"	50
57 mm ... 3"	80
108 mm ... 521 mm	100

¹⁾Tightening torque for combination FP clamp with steel pipe DIN EN 10220 / normal wall thickness. For pipes with smaller wall thickness or other material, the values have to be reduced.

TECHNICAL DATA

Material: Steel, all parts galvanised.

PROSYSTEM ITALIA SRL

Via Friuli venezia Giulia, 15
30030 Pianiga - Venezia - Italy
T +39.041.510.1622
F +39.041.5131351

P.IVA 03470750278
Reg.Imp. Ve 03470750278
Cap.soc. € 90.000,00
REA Padova n° 311219

info@prosystemitalia.com
prosystemitalia.com

Type d [mm]	NB	B [mm]	s [mm]	L [mm]	L1 [mm]	E[mm]
21.3	1/2"	80	5	74	106	45
26.9	3/4"	80	5	79	111	45
33.7	1"	80	5	86	118	45
42.4	1 1/4"	80	5	95	127	45
45		80	5	97	129	45
48.3	1 1/2"	80	5	101	133	45
57		80	6	109	141	45
60.3	2"	80	6	113	145	45
76.1	2 1/2"	80	6	129	161	45
88.9	3"	80	6	141	173	45
108		100	6	166	214	50
114	4"	100	6	172	220	50
133		100	6	191	239	50
139	5"	100	6	198	246	50
159		100	6	207	255	50
168	6"	100	6	217	265	50
219	8"	100	6	278	326	50
274	10"	100	6	331	379	50
324		100	8	390	438	50
356		100	8	422	470	50
368		100	8	434	482	50
419		100	8	485	533	50
508		100	8	574	622	50
521		100	8	587	635	50

Codice	Nome	Peso	Numero di pezzi
159979	21,3 mm 1/2"	1.05	1
159988	26,9 mm 3/4"	1.09	1
159997	33,7 mm 1"	1.15	1
160007	42,4 mm 1 1/4"	1.25	1
160016	45,0 mm	1.29	1

PROSYSTEM ITALIA SRL

Via Friuli venezia Giulia, 15
 30030 Pianiga - Venezia - Italy
 T +39.041.510.1622
 F +39.041.5131351

P.IVA 03470750278
 Reg.Imp. Ve 03470750278
 Cap.soc. € 90.000,00
 REA Padova n° 311219

info@prosystemitalia.com
prosystemitalia.com

Codice	Nome	Peso	Numero di pezzi
160025	48,3 mm 1 ½"	1.31	1
160034	57,0 mm	1.67	1
160043	60,3 mm 2"	1.69	1
160052	76,1 mm 2 ½"	1.87	1
160061	88,9 mm 3"	2.09	1
160070	108 mm	3.31	1
160089	114 mm 4"	3.35	1
160098	133 mm	3.67	1
160104	139 mm 5"	3.78	1
160113	159 mm	4.05	1
160122	168 mm 6"	4.07	1
160131	219 mm 8"	4.91	1
160140	274 mm 10"	5.57	1
160159	324 mm 12"	8.22	1
160168	356 mm 14"	8.94	1
160177	368 mm	9.17	1
160186	407 mm 16"	9.58	1
160195	419 mm	10	1
160201	508 mm 20"	11.68	1
160210	521 mm	13.2	1

PROSYSTEM ITALIA SRL

Via Friuli venezia Giulia, 15
30030 Pianiga - Venezia - Italy
T +39.041.510.1622
F +39.041.5131351

P.IVA 03470750278
Reg.Imp. Ve 03470750278
Cap.soc. € 90.000,00
REA Padova n° 311219

info@prosystemitalia.com
prosystemitalia.com