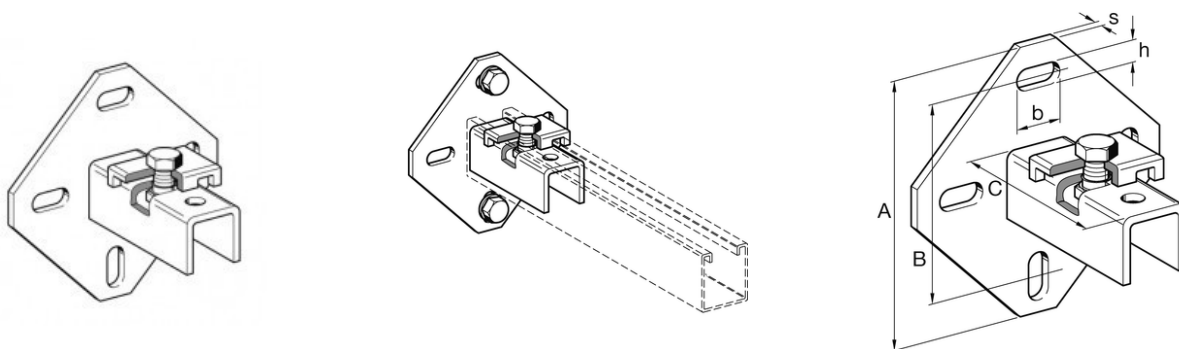


END SUPPORT WBD HCP



APPLICATION

In combination with a channel, End Support WBD is particularly suitable for setting up structures attached to walls, floors and ceilings and in particular as a base for frame structures made of channels.

The generous dimensions and the rhombic shape of the mounting plate provide for a high bending moment and safely stabilise lateral loads.

INSTALLATION

Normally, two anchors grouped opposite to each other and along the load axis are sufficient. Only in exceptional cases (e.g. high props in frameworks) four anchors are required.

Tightening torque for hexagon bolts ≥ 40 Nm.

For ceiling mounting under high loads (up to 7.0 kN), we recommend the use of at least one fully traversing bolt for connecting the channel to the End Support WBD (for examples see "Installation Guidelines").

TECHNICAL DATA

PROSYSTEM ITALIA SRL

Via Friuli venezia Giulia, 15
30030 Pianiga - Venezia - Italy
T +39.041.510.1622
F +39.041.5131351

P.IVA 03470750278
Reg.Imp. Ve 03470750278
Cap.soc. € 90.000,00
REA Padova n° 311219

info@prosystemitalia.com
prosystemitalia.com

Type	Suitable for channel	A [mm]	s [mm]	B [mm]	b [mm]	h [mm]	C [mm]
41/21-31	41/21/2.0 - 41/31/2.0	135	6	100	25	11	95
41/41-45	41/41/2.5	135	6	100	25	11	95
41/41-45 D	41/41/2.5 D	210	8	170	25	13	125

Working load for Wall mounting:

See tables on load charts for End Support WBD in chapter "Brackets"

The figures apply on walls if two anchors of the load class as stated are used.

Working load for Ceiling mounting:

The permissible maximum vertical load for ceiling mounting with Holding Bracket amounts to 2.0 kN.
Using at least one traversing bolt (class 8.8) 7.0 kN.

Material: Steel, HCP.

Codice	Nome	Peso	Numero di pezzi
198063	WBD 41/21	0.73	-
198070	WBD 41/41	0.83	-
113918	WBD 41/41	1.5	-
198100	WBD 41/41 D	2.46	-

PROSYSTEM ITALIA SRL

Via Friuli venezia Giulia, 15
30030 Pianiga - Venezia - Italy
T +39.041.510.1622
F +39.041.5131351

P.IVA 03470750278
Reg.Imp. Ve 03470750278
Cap.soc. € 90.000,00
REA Padova n° 311219

info@prosystemitalia.com
prosystemitalia.com