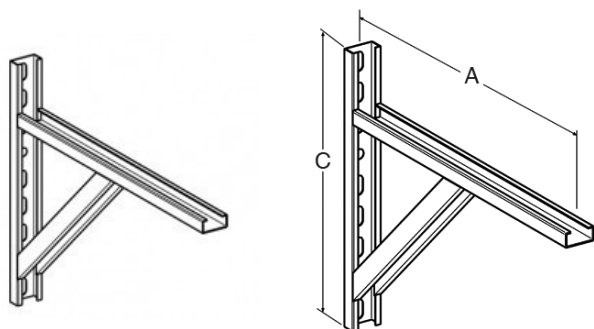


SUPPORT BRACKET R



APPLICATION

Is used in civil construction for the mounting of wall piping or air conditioners.

TECHNICAL DATA

Material: Steel, electro-galvanised (made with channel 32/20/2,50).

Type	Max adm end-load [kN]	Max adm load in the middle[kN]	Max adm distributed load [kN]	A [mm]	C [mm]	Holes [mm]
R 350	0,6	3	2	370	275	10 x 23
R 525	0,4	2,5	1,5	545	380	10 x 23

Codice	Nome	Peso	Numero di pezzi
71580	R 350	1.2	2
71590	R 525	1.8	2

PROSYSTEM ITALIA SRL

Via Friuli venezia Giulia, 15
30030 Pianiga - Venezia - Italy
T +39.041.510.1622
F +39.041.5131351

P.IVA 03470750278
Reg.Imp. Ve 03470750278
Cap.soc. € 90.000,00
REA Padova n° 311219

info@prosystemitalia.com
prosystemitalia.com