

ALL-IN-ONE MOTOR PUMP CONNECTION



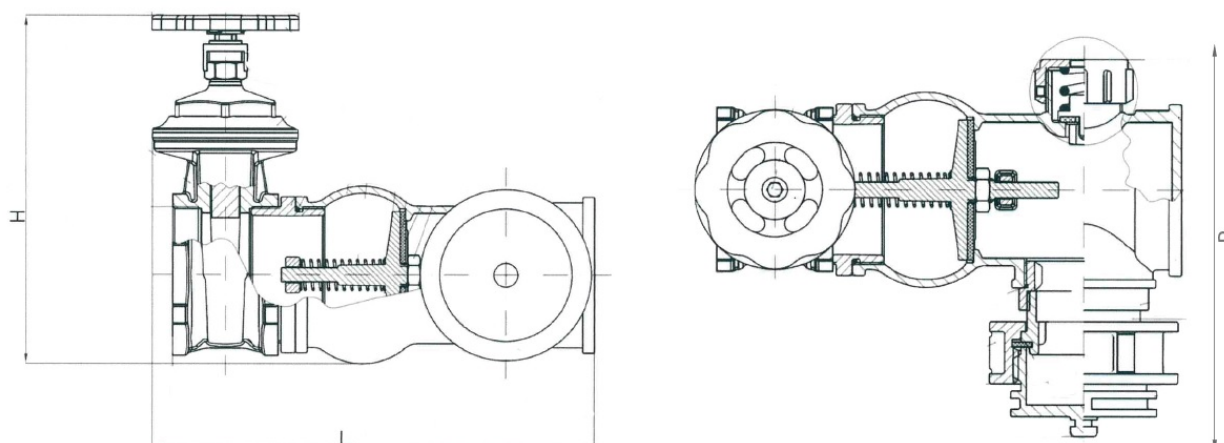
APPLICATION

Brass motor pump connection EN 1982, painted red RAL 3000, with safety valve calibrated to 12 bar and integrated check valve.

Supplied with a DN 70 connection with a swivel joint compliant with UNI 804 for diameters 2", 2"½, 3" and 4", or two DN 70 connections with automatic shut-off valve for diameters 3" and 4". Polypropylene protective caps included, compliant with UNI10779.

Connection to the water mains with ISO 228 threaded or PN 16 flanged connection in accordance with UNI EN 1092. For horizontal or vertical installation.

	L threaded [mm]	L flanged PN16 [mm]	H [mm]	P [mm]
2" x 1 UNI 70	240	270	190	205
2"½ x 1 UNI 70	245	285	220	205
3" X 1 UNI 70	260	300	240	215
3" X 2 UNI 70	405	445	240	220
4" X 1 UNI 70	280	340	280	245
4" X 2 UNI 70	420	480	280	250
4" X 3 UNI 70	560	620	280	250



PROSYSTEM ITALIA SRL

Via Friuli venezia Giulia, 15
30030 Pianiga - Venezia - Italy
T +39.041.510.1622
F +39.041.5131351

P.IVA 03470750278
Reg.Imp. Ve 03470750278
Cap.soc. € 90.000,00
REA Padova n° 311219

info@prosystemitalia.com
prosystemitalia.com

Codice	Nome	Peso	Numero di pezzi
552680	2" x 1 UNI 70 filettato	12	1
552685	2"½ x 1 UNI 70 filettato	14	1
552690	3" x 1 UNI 70 filettato	16	1
552695	3" x 2 UNI 70 filettato	17	1
552700	4" x 1 UNI 70 filettato	18	1
552705	4" x 2 UNI 70 filettato	22	1
552710	4" x 3 UNI 70 filettato	24	1
552715	2" x 1 UNI 70 flangiato	13	1
552720	2"½ x 1 UNI 70 flangiato	14	1
552725	3" x 1 UNI 70 flangiato	17	1
552730	3" x 2 UNI 70 flangiato	19	1
552735	4" x 1 UNI 70 flangiato	19	1
552740	4" x 2 UNI 70 flangiato	23	1
552745	4" x 3 UNI 70 flangiato	25	1

PROSYSTEM ITALIA SRL

Via Friuli venezia Giulia, 15
30030 Pianiga - Venezia - Italy
T +39.041.510.1622
F +39.041.5131351

P.IVA 03470750278
Reg.Imp. Ve 03470750278
Cap.soc. € 90.000,00
REA Padova n° 311219

info@prosystemitalia.com
prosystemitalia.com