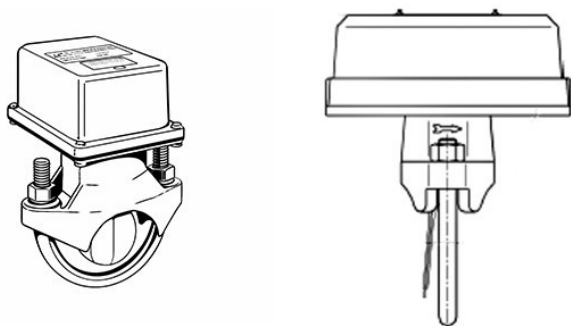


WATERFLOW DETECTOR WDFE



APPLICATION

A device that signals the flow of water flowing in the pipes, closing an electrical contact. Installation in wet pipe systems with antifreeze or foam agent premix is allowed

TECHNICAL DATA

Nominal pressure: PN 10 (VdS) and 175 psi (FM).

Flow: Max 10 m/s.

Equivalent length: 1.0 m.

Response at flow rate: 30-57 l/m.

Temperature range: da 0° a + 49°C.

Contacts: 250 V AC/10 A; 24 V DC/2.5 A.

material / surface:

- Housing: aluminium;
- Switch: duroplastic;
- Retarding device:duroplastic;
- Vane: thermoplastic;
- Gasket EPDM.

APPROVALS

VdS and FM.



Codice	Nome	Peso	Numero di pezzi
773271		1.8	1
785538		1.9	1

PROSYSTEM ITALIA SRL

Via Friuli venezia Giulia, 15
30030 Pianiga - Venezia - Italy
T +39.041.510.1622
F +39.041.5131351

P.IVA 03470750278
Reg.Imp. Ve 03470750278
Cap.soc. € 90.000,00
REA Padova n° 311219

info@prosystemitalia.com
prosystemitalia.com

Codice	Nome	Peso	Numero di pezzi
785540		2.2	1
785551		2.4	1
845919	DN 125	2.7	1
785563		2.9	1
770014		3.5	1

PROSYSTEM ITALIA SRL

Via Friuli venezia Giulia, 15
30030 Pianiga - Venezia - Italy
T +39.041.510.1622
F +39.041.5131351

P.IVA 03470750278
Reg.Imp. Ve 03470750278
Cap.soc. € 90.000,00
REA Padova n° 311219

info@prosystemitalia.com
prosystemitalia.com